

Vision Window

Vision Windows are available in single, double or triple lites. Corner and bay windows are available upon request. Window frame is extruded aluminum fastened together with screws, available in clear or dark bronze anodized finish. Vision windows are shipped without glazing material permanently installed. Glazing material must be sealed into framing after frame is anchored in place. Sealant to be furnished by installer.

Vision Window provides walk-up or drive-up service with the addition of circular talk thru and transaction drawer.

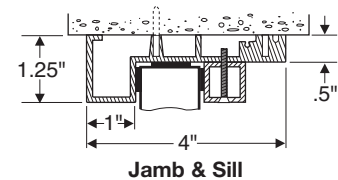
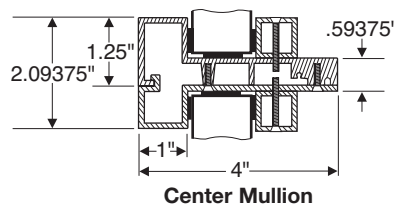
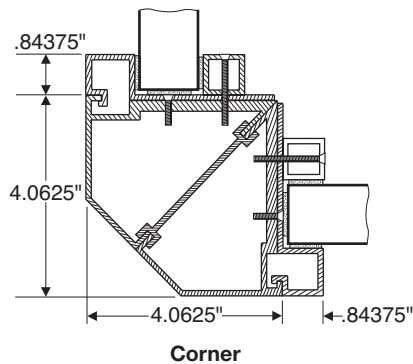
Specify frame finish:

Clear or dark bronze anodized aluminum

Construction:

Aluminum frame

	Model	Width x Height
Single Lite	VWS 2436	24" x 36"
	VWS 3036	30" x 36"
	VWS 3636	36" x 36"
	VWS 4836	48" x 36"
	VWS 6036	60" x 36"
Double Lite	VWS-2 9636	96" x 36"
	VWS-2 12036	120" x 36"
Triple Lite	VWS-3 14436	144" x 36"
	VWS-3 18036	180" x 36"



Sliding Window

Window unit has a stationary lite as well as a sliding lite which opens for daytime use. Window lite slides closed via overhead track for nighttime security. Frame available in clear or dark bronze anodized aluminum. Shelf is available in stainless steel or plastic laminated with stainless steel deal tray mounted below sliding window when in closed position. Unit is available with level I bullet resistant acrylic or level III bullet resistant polycarbonate. Window can be made to User or Project specified sizes. This model is for interior use only.

Specify frame finish:

Clear or dark bronze anodized aluminum

Construction:

Shelf: Stainless steel or plastic laminated

Level I acrylic or level III polycarbonate bullet resistant

