

Windows



Ticket Window

Creative Industries bullet resistant Ticket Window features aluminum clamp-on frame adjustable for walls 5" to 8.5" thick, two-way voice amplified bullet resistant talk thru is mounted in choice of glazing. The unique patented counter top and drawer combination is constructed of stainless steel and weatherstripped to minimize energy loss. Drawer moves forward quietly on solid bearing slides and blends smoothly into frontal surface of shelf when closed, making desirable flush appearance. Counter top extends in front of window to provide customer with extra space for writing surface or purse ledge. Window frame is available in clear or dark bronze anodized finish.

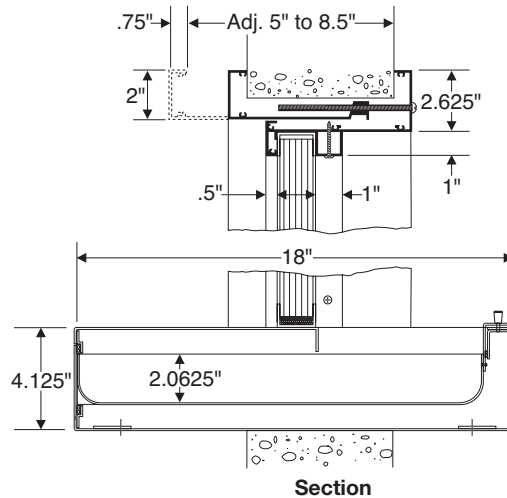
Specify frame finish:

Clear or dark bronze anodized aluminum

Construction:

Frame: aluminum

Counter top and drawer: stainless steel



Model	Overall Size of Unit	Wall Opening
	Width x Height	Width x Height
TIK 2436	24" x 36"	21.75" x 35"
TIK 2442	24" x 42"	21.75" x 41"
TIK 2448	24" x 48"	21.75" x 47"



Walk-Up Window

Creative Industrie's bullet resistant Walk-Up Window has an aluminum frame. Patented stainless steel counter top with drawer leaves space in front of window for writing surface or purse ledge. Weatherstripped drawer extends out to customer for access to contents.

Natural voice transmission is furnished by Creative's patented model No. 5-D* cast stainless steel talk thru. Walk-Up Window is shipped without glazing material permanently installed. Sealant to be furnished by installer.

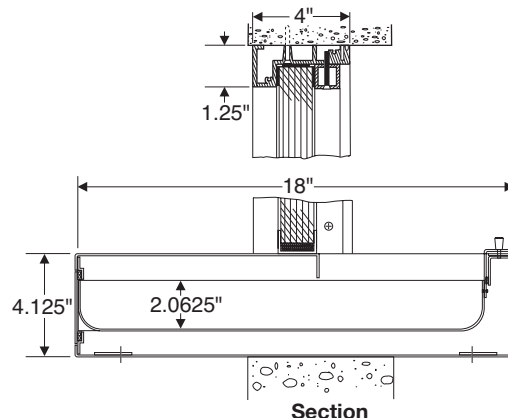
Construction:

Frame: aluminum

Counter top and drawer: stainless steel

Talk thru: cast stainless steel

*No. 5-D Talk Thru is described in further detail in another section of this catalog.



Model	Overall Size of Unit	Wall Opening
	Width x Height	Width x Height
WU 2436	24" x 36"	24.25" x 36.25"
WU 3036	30" x 36"	30.25" x 36.25"
WU 3636	36" x 36"	36.25" x 36.25"