

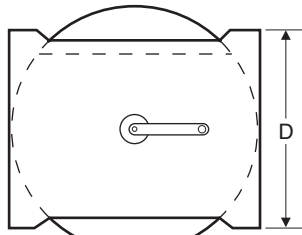
Exterior Lazy Susan LSW-CR

Exterior Lazy Susan is equipped with weatherstrip for outdoor use eliminating direct entry of outside air into the building. This unit has stainless steel sides and inner drum with a clear acrylic window for viewing contents. Top and bottom are bullet resistant plastic. Only one moving part, the inner drum, rotates with smooth movement. Crank handle on top turns the drum 180 degrees. Lazy Susan locks with a drop bolt. In locked position the stainless steel drum is turned to customer for maximum security. Unit mounts on counter top or in wall opening.

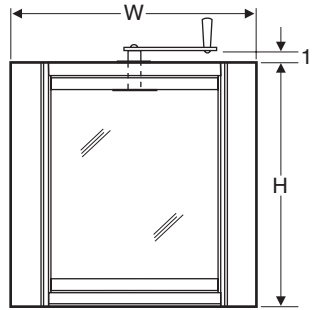
Construction:

- Stainless steel sides and inner drum
- Clear acrylic window

Level I bullet resistant



Plan View



Front View



Model	Width	Height	Depth
LSW-CR 1512	15"	12"	11.625"
LSW-CR 1820	18"	20"	13.875"
LSW-CR 2418	24"	18"	18"
LSW-CR 2618	26"	18"	19.625"

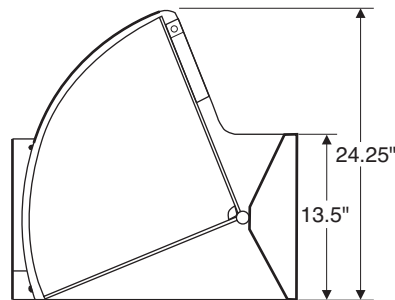
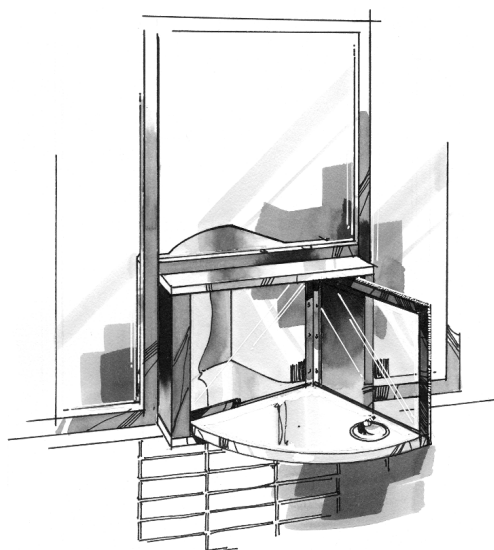
Energy Pal Pass Thru (Non-Bullet Resistant) Patented

Creative's Energy Pal is ideally suited for drive-up service. The pivoting shelf with Lexan doors turns outward to customer and inward to operator. Shelf has coin scoop and bill clip. Energy Pal prevents direct entry of outside air into the building. Energy Pal mounts on window ledge or wall opening for drive-up service. It locks with the adjacent Lexan windows forming an insulated barrier between outside and inside air. Unit is weatherstripped.

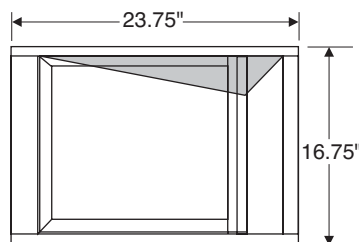
Energy Pal has 13" inside clear height

Construction:

- Sides: Aluminum with clear or dark bronze anodized finish
- Top and bottom: 1" solid plastic
- Shelf: Solid plastic
- Doors: Clear .25" thick Lexan



Plan View Section



Front View