

## Exchange Window

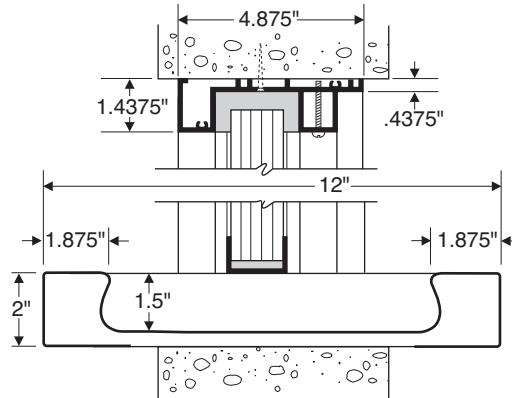
Exchange Window with natural voice transmission mounts into masonry opening or into bullet resistant reinforced stud wall. It can be made in single or multiple lites. The window frame is extruded aluminum and is fastened together with screws. Glazing material is held in place with rubber spacers which provide open space around side and top for natural voice transmission. Stainless steel shelf with built-in deal tray fits below window lite. Choice of bullet resistant glazing. Exchange window is for interior use only.

**Specify frame finish:**

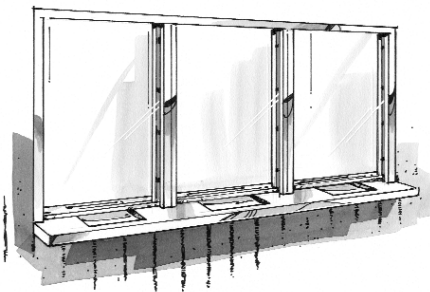
Clear or dark bronze anodized aluminum

**Construction:**

Aluminum frame  
Stainless steel shelf



Section



Exchange Window with Multi-lites available in custom sizes. Priced upon application.



Model	Width x Height	Model	Width x Height
XW 2430	24" x 30"	XW 2436	24" x 36"
XW 3030	30" x 30"	XW 3036	30" x 36"
XW 3630	36" x 30"	XW 3636	36" x 36"
		XW 4836	48" x 36"
		XW 6036	60" x 36"
		XW 7236	72" x 36"

## Exchange Vision Window

Exchange Vision Window has natural voice transmission. This window is identical to Exchange Window above except the shelf is omitted and replaced with aluminum frame along bottom edge.

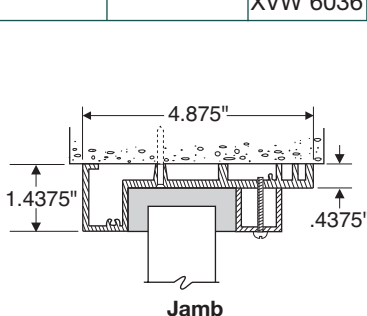
**Specify frame finish:**

Clear or dark bronze anodized aluminum

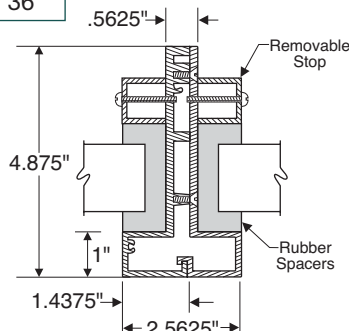
**Construction:**

Aluminum frame

Model	Width x Height	Model	Width x Height
XVW 2430	24" x 30"	XVW 2436	24" x 36"
XVW 3030	30" x 30"	XVW 3036	30" x 36"
XVW 3630	36" x 30"	XVW 3636	36" x 36"
		XVW 4836	48" x 36"
		XVW 6036	60" x 36"



Jamb



Mull

