



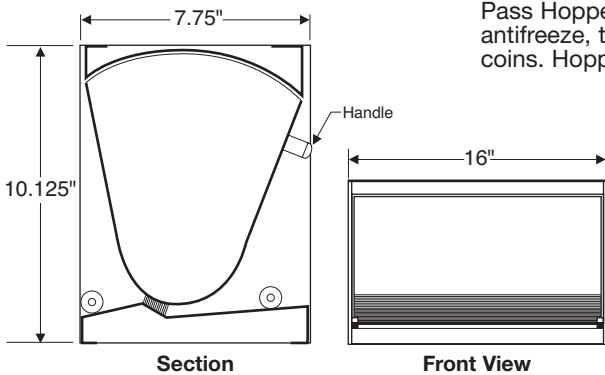
Pass Hopper with Flange

All stainless steel Pass Hopper mounts on counter top, in wall or window opening. Hopper pivots outward for customer access, then in opposite direction for operator access. Only one moving part allows virtually maintenance free service. Pass Hopper is equipped with weatherstrip for exterior use. Standard models provide Level I bullet resistant protection. Level III protection is an extra option.

Pass Hopper is available with stationary exterior flange and loose adjustable flange for rear side on all models.

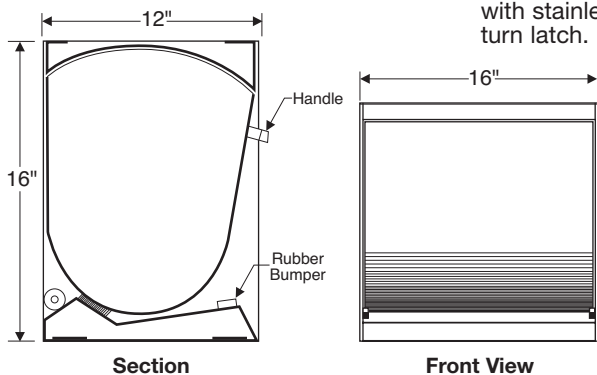
Construction:
stainless steel

Level I or III bullet resistant



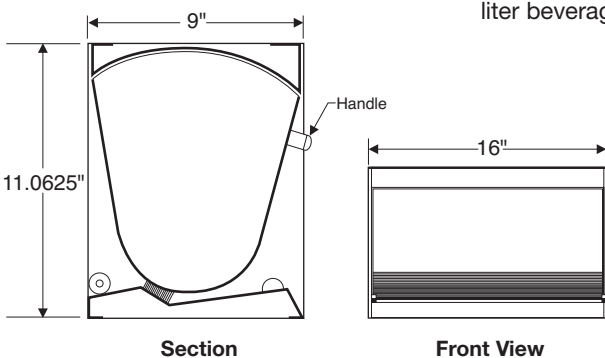
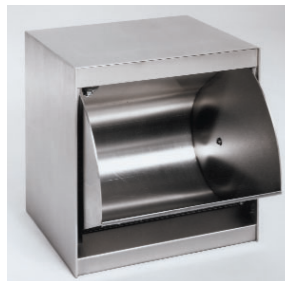
Pass Hopper PHE-1

Pass Hopper can handle a gallon of antifreeze, two liter beverage or bag of coins. Hopper locks with latch.



Pass Hopper PHE-2

Largest pass Hopper provides ample capacity for larger bulky items. Equipped with stainless steel handle and round turn latch.



Pass Hopper PHE-3

Pass Hopper can accommodate a three liter beverage or gallon of milk.

