

Pass Thrus



Swivel-Thru No. 1 Combination Pass Thru and Deal Tray Patented

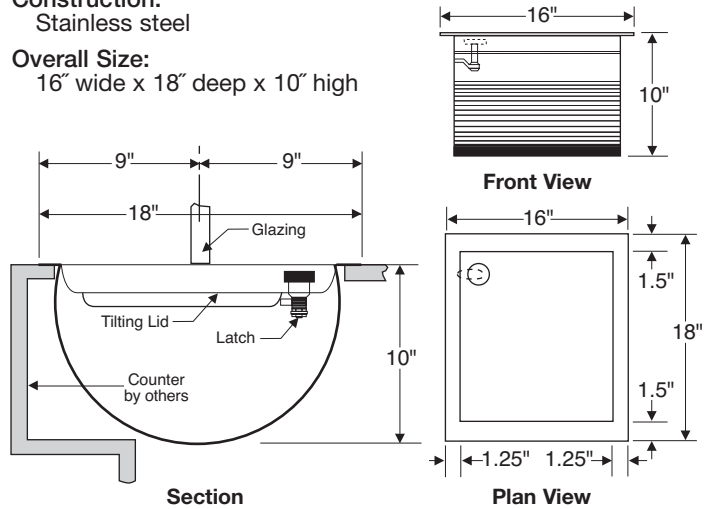
Stainless steel Swivel-Thru sets in transaction area of counter, centered beneath the bullet resistant window. For normal currency transactions the deal tray (lid) is locked in horizontal position by a turn latch incorporated in the knob. For larger items the deal tray is tilted upward to the lower edge of window to uncover the open drum below. After larger item is placed in open drum, deal tray is rotated in opposite direction by operator for access to drum contents. The Swivel-Thru is bullet resistant in all positions. It has the appearance of an ordinary deal tray when mounted in place, not detracting from aesthetics of counter. Unit is large enough to accommodate items such as an eight pack of drinks or large bag of coins.

Construction:

Stainless steel

Overall Size:

16" wide x 18" deep x 10" high



Drawers

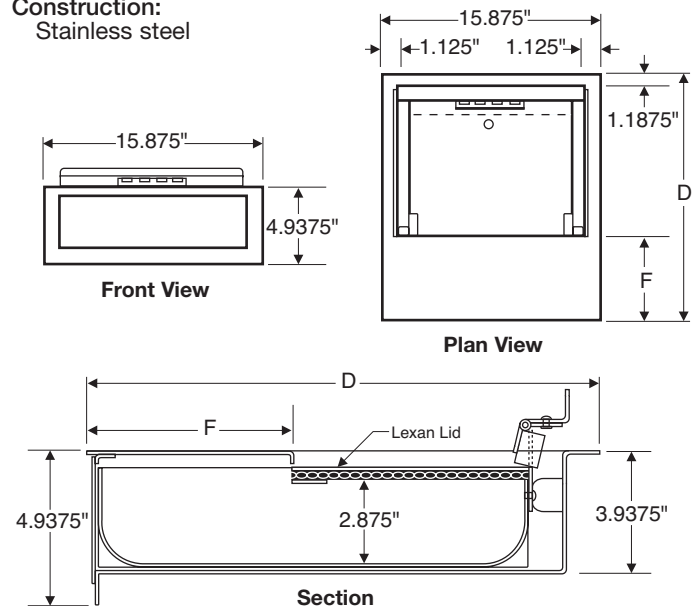


Deal Drawers

Deal Drawer recesses in counter top along front to achieve flush appearance. Glazing (by others) sets above the flat hood portion of drawer. Full width handle across rear of drawer along with smooth solid bearing slides allows easy operation. Lexan lid stays closed when drawer is extended.

Construction:

Stainless steel



Model	Cut Out Size				
	F	D	W	D	H
1616	6.5"	16.25"	14.5"	15"	4"
1620	6.5"	20.25"	14.5"	19"	4"
1622	8"	22.25"	14.5"	21"	4"