

Transaction Drawer 1724-SCL Patented

Patented Transaction Drawer 1724-SCL has its lid and front door synchronized to open and close with no chance of lid being left open when drawer is extended. As drawer closes, the lid returns to slanted position allowing operator access to contents.

Construction:

Drawer: bullet resistant plastic

Housing:

.75" exterior plywood with stainless steel on exposed surfaces

Face, hood, lid, handle and coin scoop:

Stainless steel

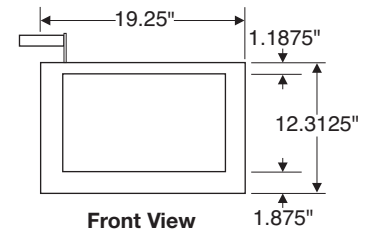
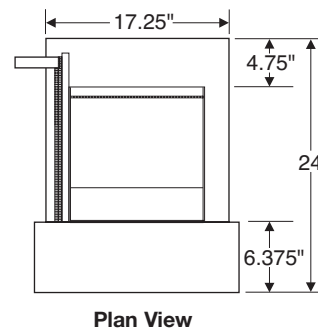
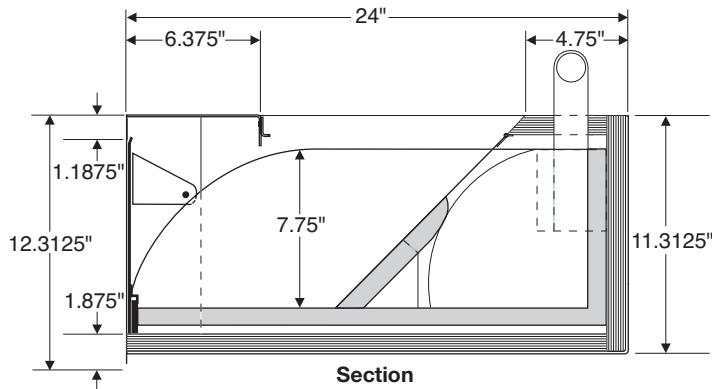
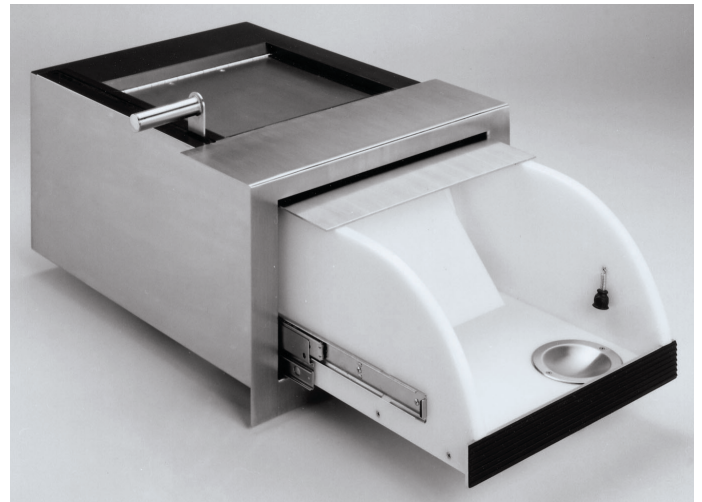
Drawer extension:

14.25"

Wall opening size:

17.5" wide x 11.5" high

Level I bullet resistant



Transaction Drawer 1724-SS

Transaction Drawer 1724-SS is suited for drive-up and walk-up service. This drawer is weather resistant. Lexan lid allows clear view of contents while preventing direct entry of outside air. Push button latch keeps lid locked when closed.

As drawer moves outward the stainless steel front panel pivots upward and inward. Drawer locks with drop bolt. Coin scoop and bill clip are included.

Construction:

Drawer: bullet resistant plastic

Housing:

.75" exterior plywood with stainless steel on exposed surfaces

Face, hood, lid, handle and coin scoop:

Stainless steel

Drawer extension:

15"

Wall opening size:

17.5" wide x 10" high

Drawer inside dimension:

13" wide x 22" deep x 6.5" high

Level I bullet resistant

